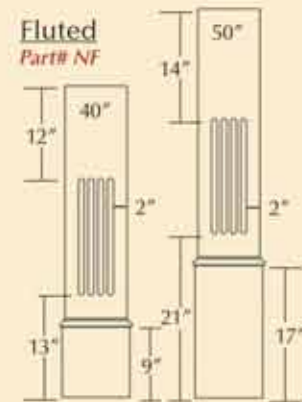
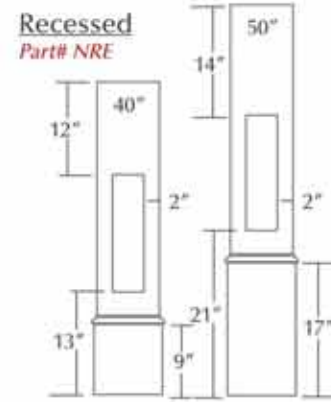


## Newels



## Caps

40" Caps

Triple Tier  
Part# NTTC

50" Caps



1. Triple Tier for 40" Newel
2. Triple Tier for 50" Newel
3. Plain
4. Plain With Rake
5. Pyramidal

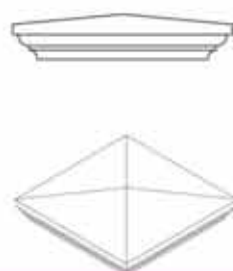
Plain  
Part# NTC



Rake  
Part# NTCR



Pyramidal  
Part# NPTC



	6"x6"	8"x8"	10"x10"	12"x12"
1.	NTTC640	NTTC840	NTTC1040	NTTC1240
2.	NTTC650	NTTC850	NTTC1050	NTTC1250
3.	NTC6	NTC8	NTC10	NTC12
4.	NTCR6	NTCR8	NTCR10	NTCR12
5.	NPTC6	NPTC8	NPTC10	NPTC12

## Rail System



**INTEX**<sup>®</sup>  
MILLWORK SOLUTIONS

### INTEX Finishing Procedure

Railing products are supplied primed and must be painted. Other INTEX products do not require painting, but may be painted to match rail.

Caution: To decrease the chance of separation due to expansion/contraction, do not paint Intex Millwork products dark colors where they will be exposed to direct sunlight.

(Paint should have a light reflective value of 55 or greater)

For more information visit us at:  
[www.intexmillwork.com](http://www.intexmillwork.com)  
or 609.567.5900  
fax 609.567.5901  
34 West Black Horse Pike  
Williamstown, NJ 08094

©2008 INTEX Millwork Solutions. All Rights Reserved.

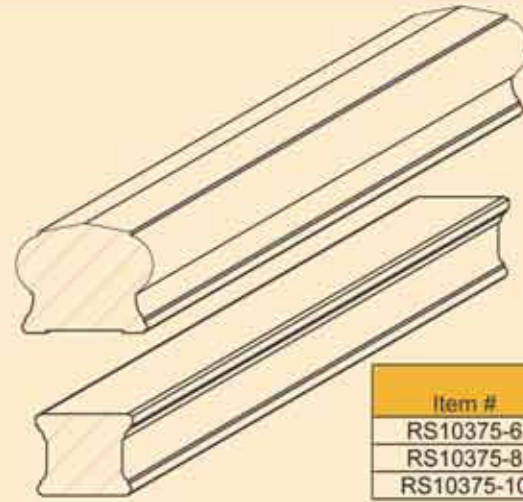
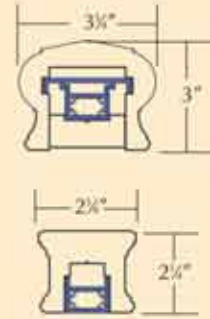
"INTEX" is a registered trademark of INTEX Millwork Solutions.  
INTEXRAIL 1108



[www.intexmillwork.com](http://www.intexmillwork.com)

## RS10375

1-1/2" Baluster width shown on far right in 4 styles, applies to RS10375 Rail.



Item #	Section Length
RS10375-6	71-7/8"
RS10375-8	95-7/8"
RS10375-10	119-7/8"

## Balusters

NOTE: Actual baluster lengths are 28" and 34" respectively

36"  
BAL15SP-36  
42"  
BAL15SP-42

1 1/2" Plain Square

36"  
BAL15SC-36  
42"  
BAL15SC-42

1 1/2" Chamfered Square

36"  
BAL15T1-36  
42"  
BAL15T1-42

1 1/2" Turned Pattern 1

36"  
BAL15T2-36  
42"  
BAL15T2-42

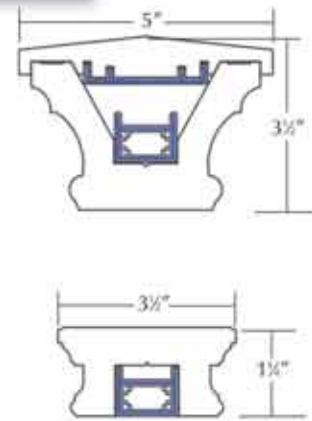
1 1/2" Turned Pattern 2

## NOTE:

Items shown in this brochure are pre-engineered standards. Contact your local INTEX dealer for information on custom designs and sizes.

## RS20500

2-1/2" Baluster width shown on far right in 4 styles, applies to RS20500 Rail.



Item #	Section Length
RS20500-6	71-7/8"
RS20500-8	95-7/8"
RS20500-10	119-7/8"

36"  
BAL25SP-36  
42"  
BAL25SP-42

2 1/2" Plain Square

36"  
BAL25SC-36  
42"  
BAL25SC-42

2 1/2" Chamfered Square

36"  
BAL25T1-36  
42"  
BAL25T1-42

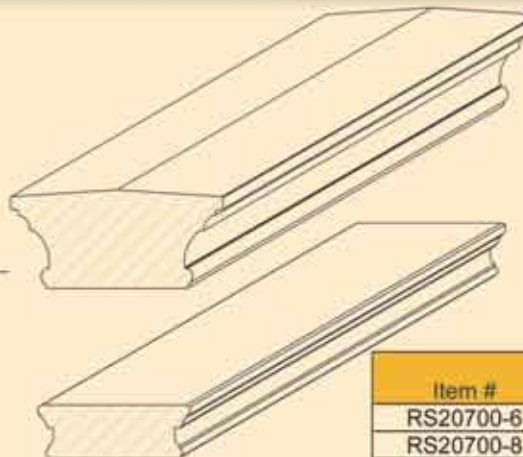
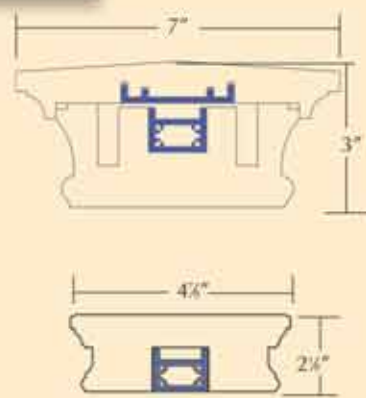
2 1/2" Turned Pattern 1

36"  
BAL25T2-36  
42"  
BAL25T2-42

2 1/2" Turned Pattern 2

## RS20700

3-1/2" Baluster width shown on far right in 4 styles, applies to RS20700 Rail.



Item #	Section Length
RS20700-6	71-7/8"
RS20700-8	95-7/8"
RS20700-10	119-7/8"

36"  
BAL35SP-36  
42"  
BAL35SP-42

3 1/2" Plain Square

36"  
BAL35SC-36  
42"  
BAL35SC-42

3 1/2" Chamfered Square

36"  
BAL35T1-36  
42"  
BAL35T1-42

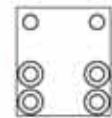
3 1/2" Turned Pattern 1

36"  
BAL35T2-36  
42"  
BAL35T2-42

3 1/2" Turned Pattern 2

## Hardware

Supplied Stainless Steel Mounting Bracket



Rail Assembly Detail



Aluminum Rail Reinforcement

NOTE: All top and bottom rails come with aluminum reinforced inserts for additional strength and stability. (Shown in blue above in cross sectional drawings).

## Testing

The INTEX rail system was evaluated for and met the structural performance requirements of:

2006 International Building Code, International Code Council  
2006 International Residential Code, International Code Council

Structural tests were performed according to chapter 17 of 2006 IBC

