

EPCLP-FP
 Classic Flush Panel -
 Top Mount Lamp Post

Approved by _____ Date _____

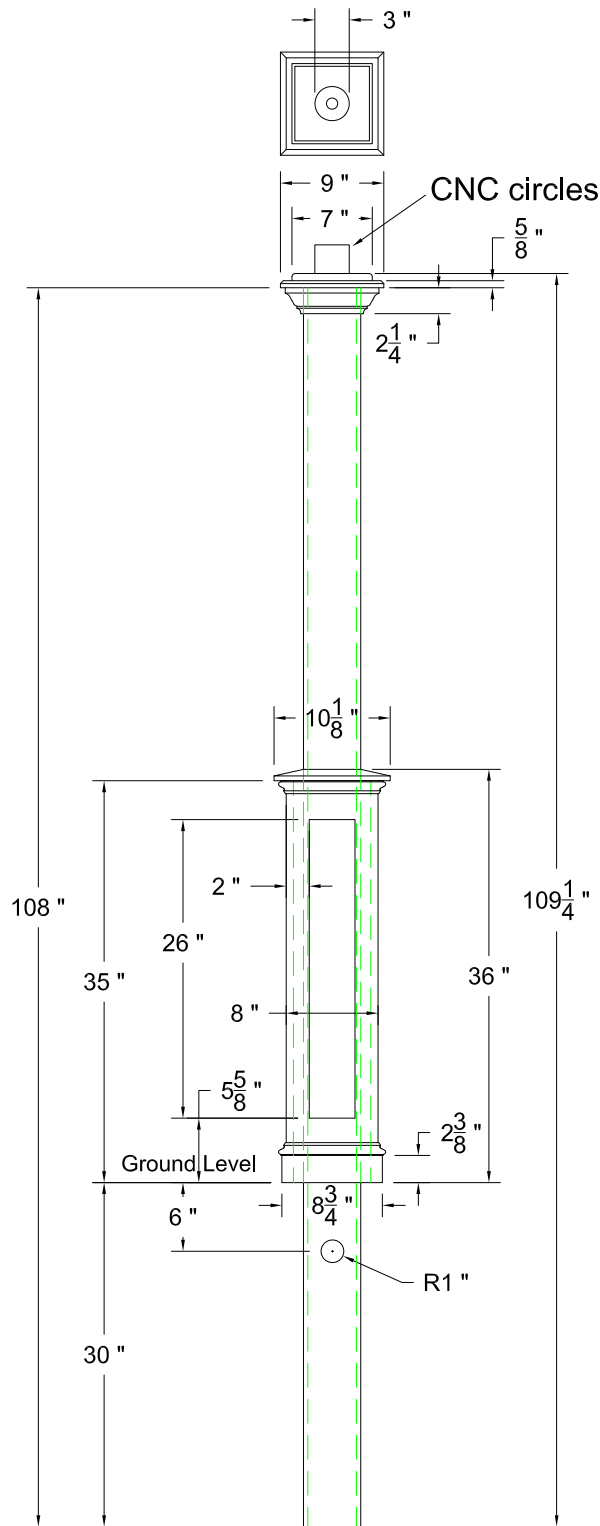
Drawn By: L. Andrews	Date: 05/19/20	Reference Quote # XXX	Revision:	Customer: New Product Development
----------------------	----------------	-----------------------	-----------	-----------------------------------



Description: Classic Flush Panel - Top Mount Lamp Post

Legal Disclaimer: This drawing and any attachments are the sole property of Intex Millwork Solutions, LLC and are provided for the purpose of description and approval for quoted products. Any unauthorized use may result in legal action to the extent of the applicable laws.


45 Mill Street
 Mays Landing, NJ, 08330
 Phone 856-293-4100
 Fax 856-293-4102

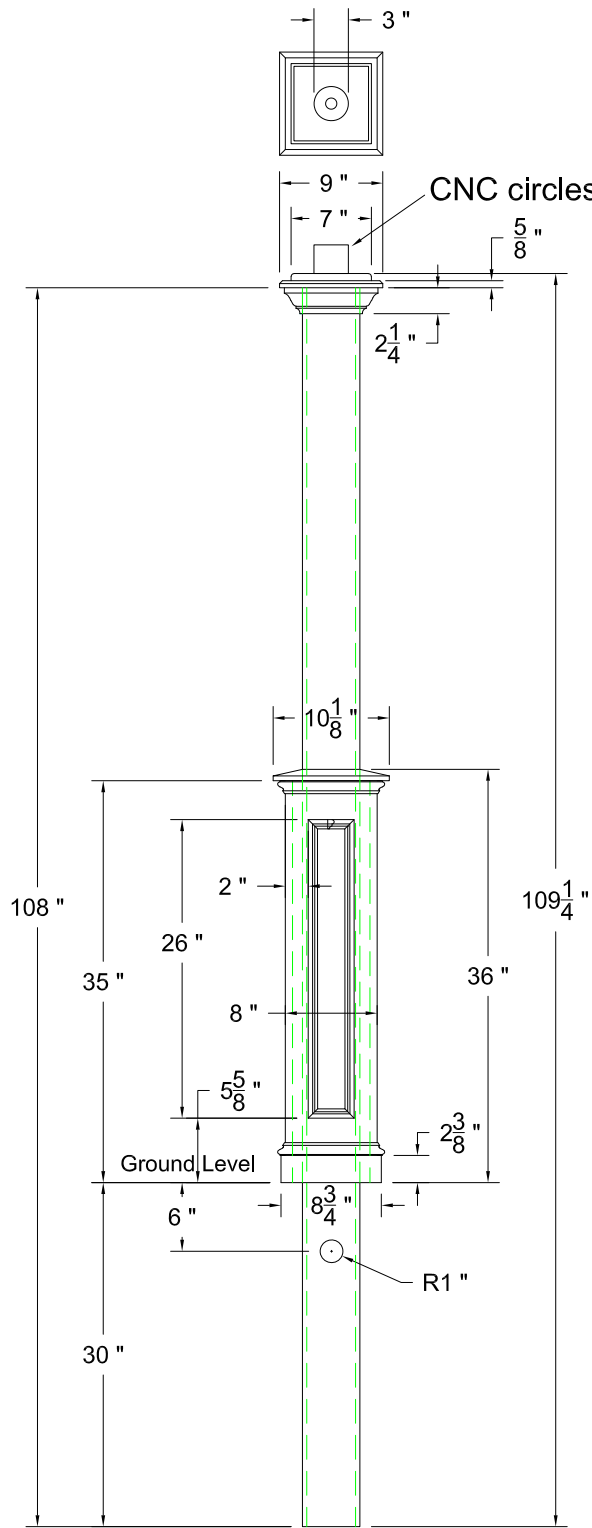


EPCLP-RP
Classic Recessed Panel -
Top Mount Lamp Post

Approved by _____ Date _____

Drawn By: L. Andrews	Date: 05/19/20	Reference Quote # XXX	Revision:	Customer: New Product Development
----------------------	----------------	-----------------------	-----------	-----------------------------------


	Description: Classic Recess Panel - Top Mount Lamp Post <i>Legal Disclaimer: This drawing and any attachments are the sole property of Intex Millwork Solutions, LLC and are provided for the purpose of description and approval for quoted products. Any unauthorized use may result in legal action to the extent of the applicable laws.</i>	45 Mill Street Mays Landing, NJ, 08330 Phone 856-293-4100 Fax 856-293-4102
--	---	---

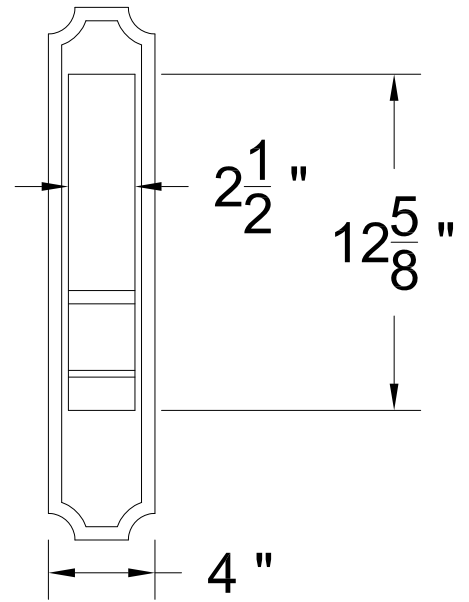
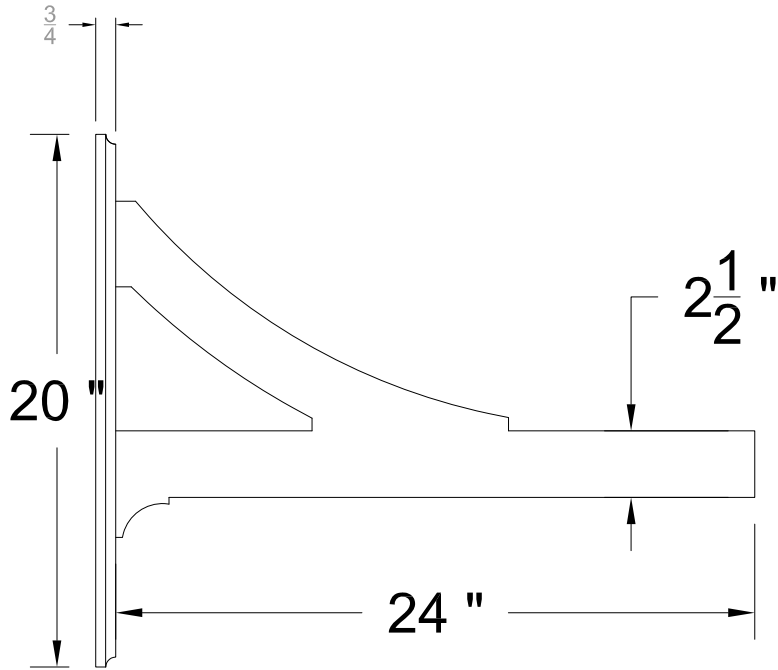


EPCLP-RPP
Classic Recessed Panel with Plants -
Top Mount Lamp Post

Approved by _____ Date _____

Drawn By: L. Andrews	Date: 05/19/20	Reference Quote # XXX	Revision:	Customer: New Product Development
----------------------	----------------	-----------------------	-----------	-----------------------------------

	Description: Classic Recess Panel with Plants- Top Mount Lamp Post <i>Legal Disclaimer: This drawing and any attachments are the sole property of Intex Millwork Solutions, LLC and are provided for the purpose of description and approval for quoted products. Any unauthorized use may result in legal action to the extent of the applicable laws.</i>	45 Mill Street Mays Landing, NJ, 08330 Phone 856-293-4100 Fax 856-293-4102
--	--	---



EPCLP-SIGNARM

Optional Sign Arm

Ships Loose

Approved by _____ Date _____

Drawn By: L. Andrews	Date: 05/19/20	Reference Quote # XXX	Revision:	Customer: New Product Development
----------------------	----------------	-----------------------	-----------	-----------------------------------



Description: Optional Sign Arm Bracket

Legal Disclaimer: This drawing and any attachments are the sole property of Intex Millwork Solutions, LLC and are provided for the purpose of description and approval for quoted products. Any unauthorized use may result in legal action to the extent of the applicable laws.

45 Mill Street
 Mays Landing, NJ, 08330
 Phone 856-293-4100
 Fax 856-293-4102