

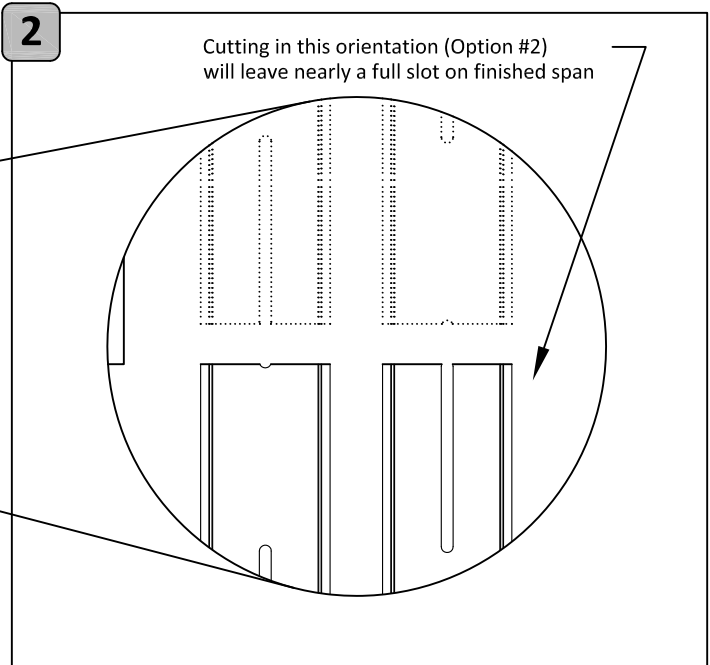
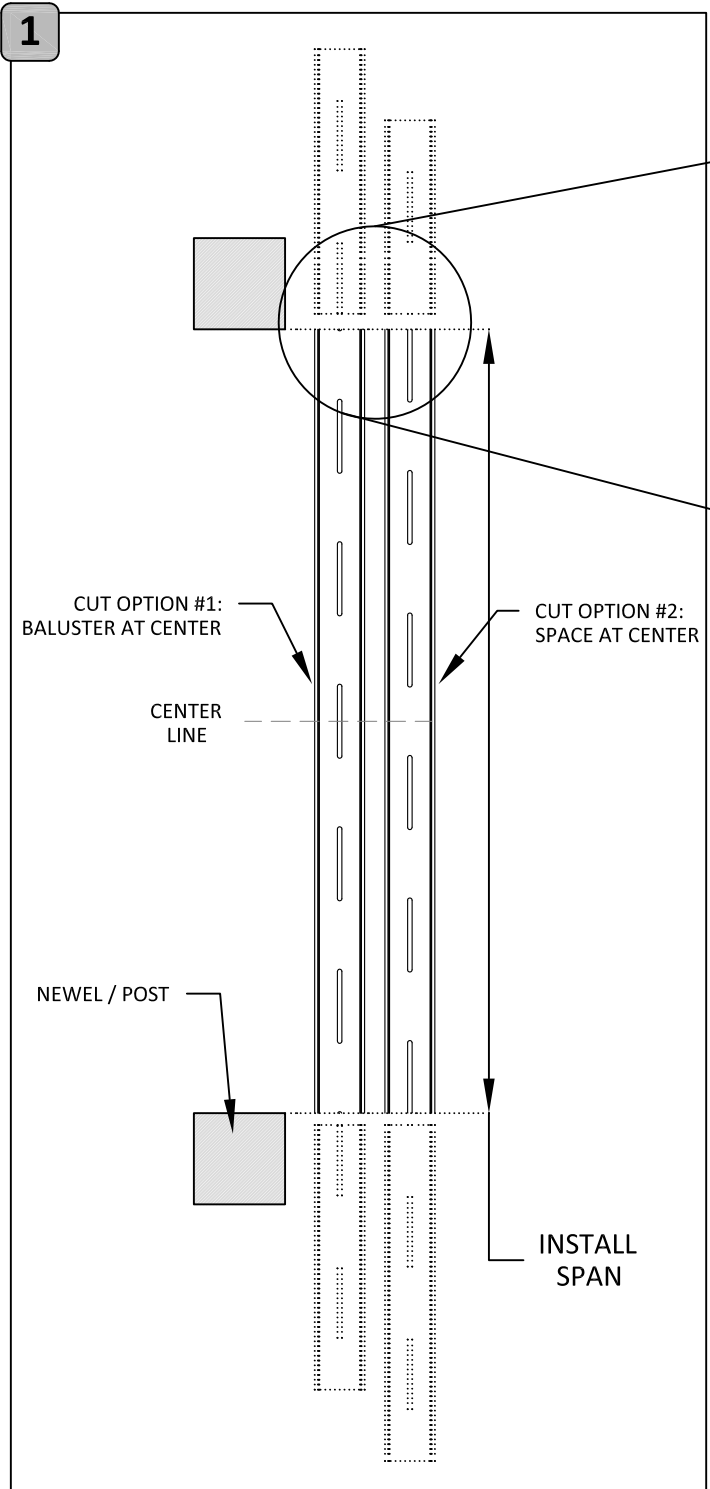
ATTENTION

Due to the nature of pre-spaced glass baluster slots in a railing system, there are a small number of installation spans which may cause some difficulty in determining exactly where to cut a railing section down to length. If your installation span falls within or around the spans listed below, please refer to the reverse side of this page for some notes on ensuring a successful installation.

USE CAUTION WHEN CUTTING THESE SPANS TO LENGTH					
RS60 Liberty Series			RS30 Dartmouth and RS40 Hampton Series		
4' 2-5/8"	to	4' 2-15/16"	4' 2-1/2"	to	4' 3-1/16"
4' 10-7/16"	to	4' 10-3/4"	4' 10-5/16"	to	4' 10-7/8"
5' 6-1/4"	to	5' 6-9/16"	5' 6-1/8"	to	5' 6-11/16"
6' 2-1/16"	to	6' 2-3/8"	6' 1-15/16"	to	6' 2-1/2"
6' 9-7/8"	to	6' 10-3/16"	6' 9-3/4"	to	6' 10-5/16"
7' 5-11/16"	to	7' 6"	7' 5-9/16"	to	7' 6-1/8"

For additional information,
 visit our website at
www.intexmillwork.com
 or contact us at:
 (856) 293-4100

INFORMATION ABOUT CUT POSITIONS

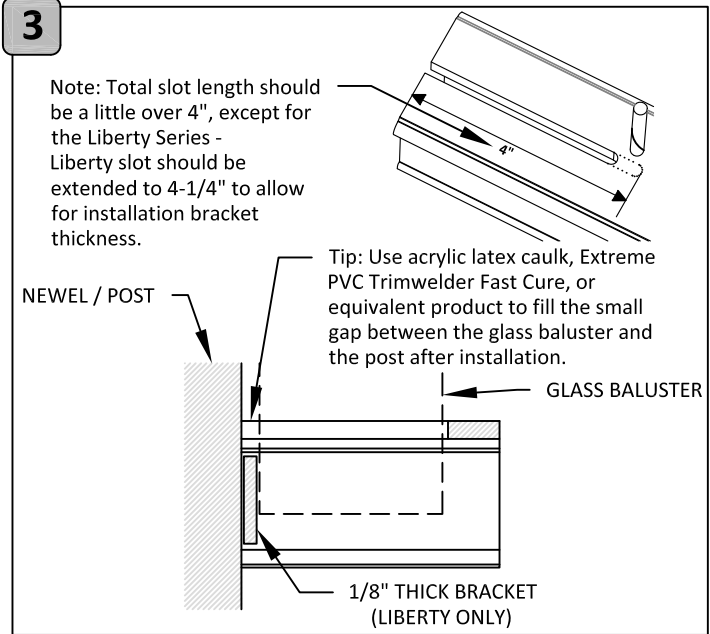


Determine Cut Position and Trim Rail to Length

1. Determine which of the two possible cuts will leave nearly an entire slot on either end.
2. Cut the rail down to its finished length. This should leave nearly an entire slot length on either end.

Consider your Scenario

1. Compare your rail section to the span in which it is to be installed. Consider both centering options - whether a baluster or space will fall at center.
2. Note that for certain spans, either centering option will result in it being necessary to cut through baluster slots on either end when cutting the span to length.



Modify End Slots for Installation

1. Using a 1/4" diameter bit hand router or drill, extend both end slots sufficiently to accommodate insertion of a glass baluster during installation.
2. Continue installation as outlined in main instructions.