

2

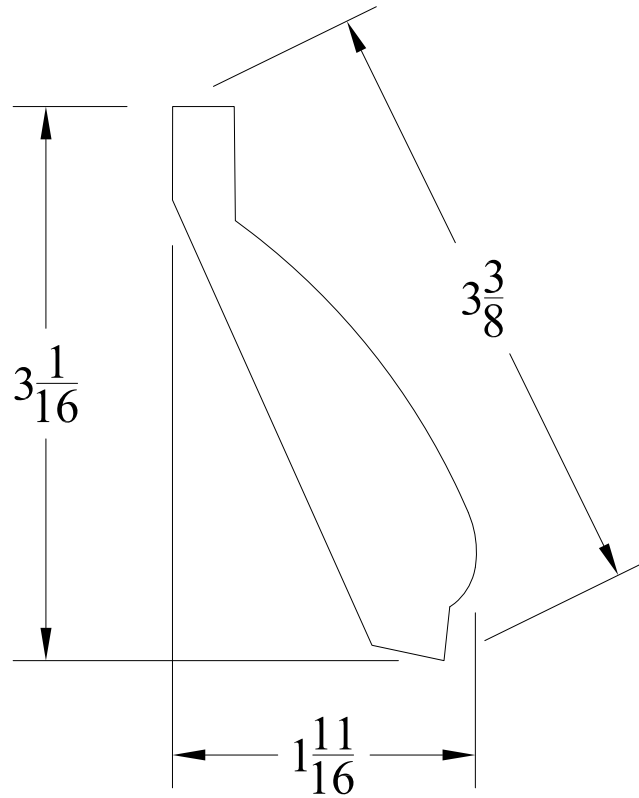
1



INTEX[®]
MILLWORK SOLUTIONS

B

B



NOTE: A SHORT RUN SETUP CHARGE APPLIES TO ORDERS OF LESS THAN 20 PIECES

A

A

| | | | | |
|--|-----------|--------------------|------------|--------------------------------|
| MATERIAL CELLULAR PVC | | NAME | DATE | DESCRIPTION Base |
| FINISH MATTE WHITE | DRAWN | XXX | XX-XX-XXXX | |
| LENGTH 17' 6" | CHECKED | XXX | XX-XX-XXXX | |
| INTEX MILLWORK SOLUTIONS 45 MILL STREET MAYS LANDING, NJ 08330 PHONE: (856) 293-4100 FAX: (856) 293-4102 | COMMENTS: | | | |
| | SIZE A | DWG. NO. IBA027 | | |
| | | | | SHEET 1 OF 1 |

2

1