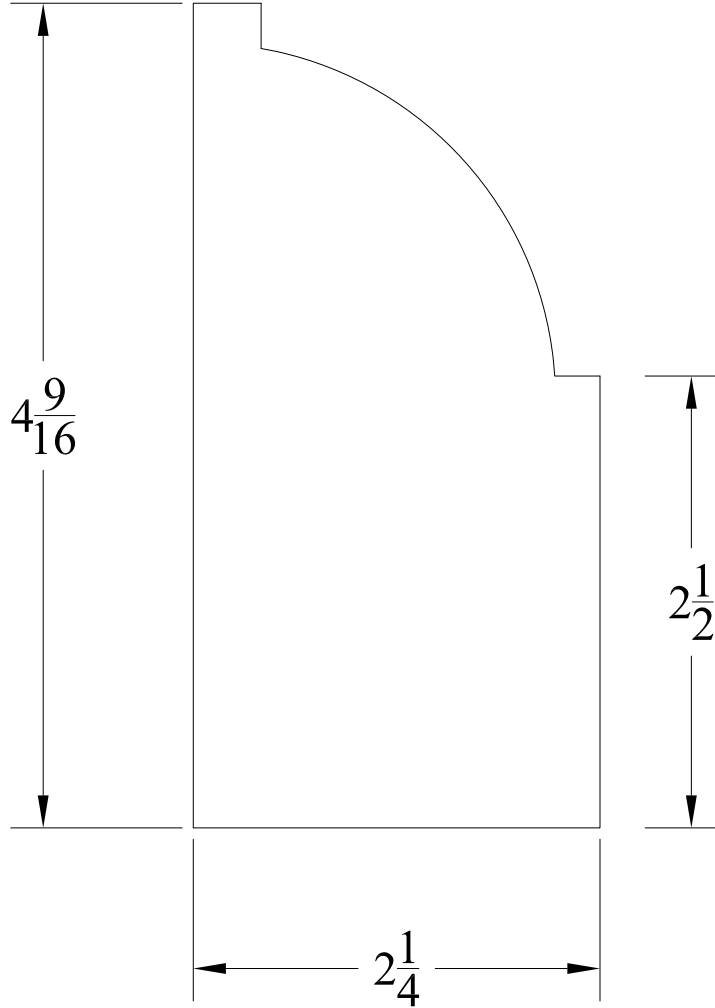




**INTEX**<sup>®</sup>  
MILLWORK SOLUTIONS



NOTE: A SHORT RUN SETUP CHARGE APPLIES TO ORDERS OF LESS THAN 20 PIECES

MATERIAL	CELLULAR PVC	NAME	DATE	DESCRIPTION			
FINISH	MATTE WHITE	DRAWN	XXX		Base		
LENGTH	17' 6"	CHECKED	XXX				
INTEX MILLWORK SOLUTIONS	45 MILL STREET	COMMENTS:					
MAYS LANDING, NJ 08330	PHONE: (856) 293-4100						
FAX: (856) 293-4102				SIZE	DWG. NO.	IBA037	
				A			SHEET 1 OF 1