

2

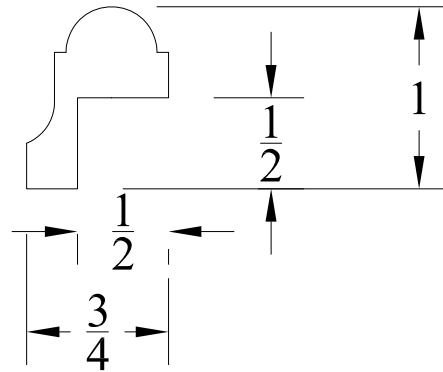
1



INTEX[®]
MILLWORK SOLUTIONS

B

B



A

A

NOTE: A SHORT RUN SETUP CHARGE APPLIES TO ORDERS OF LESS THAN 20 PIECES

MATERIAL CELLULAR PVC		NAME XXX	DATE XX-XX-XXXX	DESCRIPTION Backband
FINISH MATTE WHITE		CHECKED XXX	XX-XX-XXXX	
LENGTH 17' 6"				
INTEX MILLWORK SOLUTIONS 45 MILL STREET MAYS LANDING, NJ 08330 PHONE: (856) 293-4100 FAX: (856) 293-4102	COMMENTS:			
		SIZE A	DWG. NO. IBB028	
				SHEET 1 OF 1

2

1