



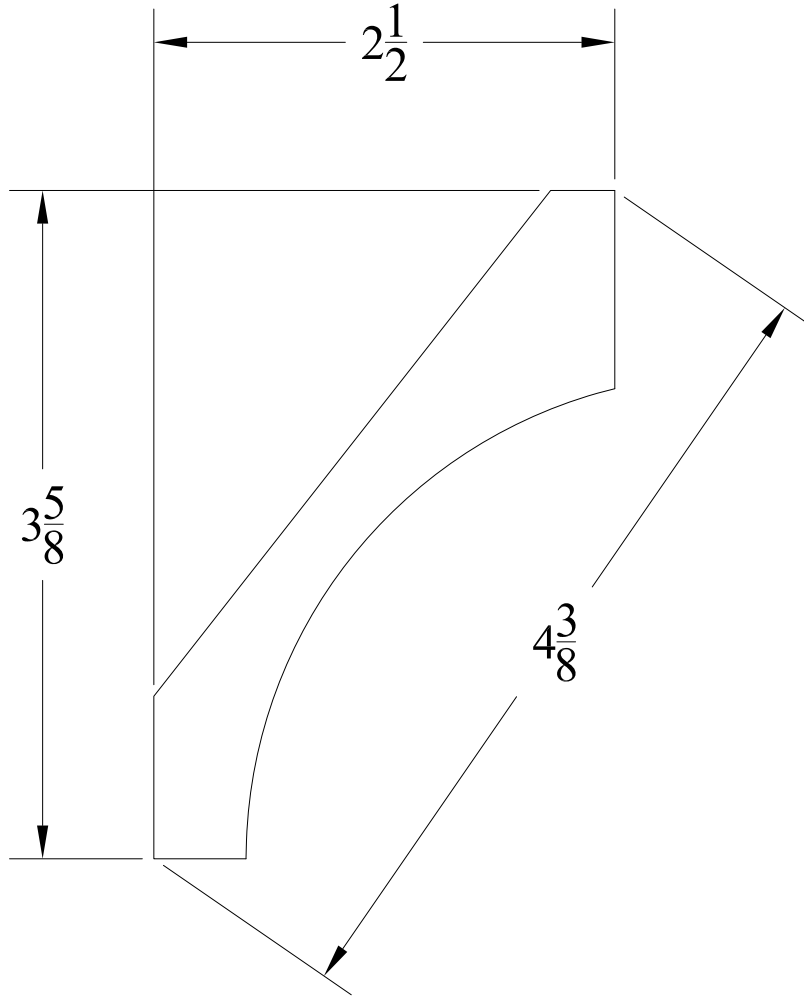
**INTEX**<sup>®</sup>  
MILLWORK SOLUTIONS

2

1

B

B



A

A

NOTE: A SHORT RUN SETUP CHARGE APPLIES TO ORDERS OF LESS THAN 20 PIECES

MATERIAL	CELLULAR PVC	NAME	DATE	DESCRIPTION			
FINISH	MATTE WHITE	DRAWN	XXX XX-XX-XXXX				
LENGTH	17' 6"	CHECKED	XXX XX-XX-XXXX				
INTEX MILLWORK SOLUTIONS	45 MILL STREET	COMMENTS:					
MAYS LANDING, NJ 08330	PHONE: (856) 293-4100						
	FAX: (856) 293-4102			SIZE	DWG. NO.	ICM017	
				A			SHEET 1 OF 1

2

1