

2

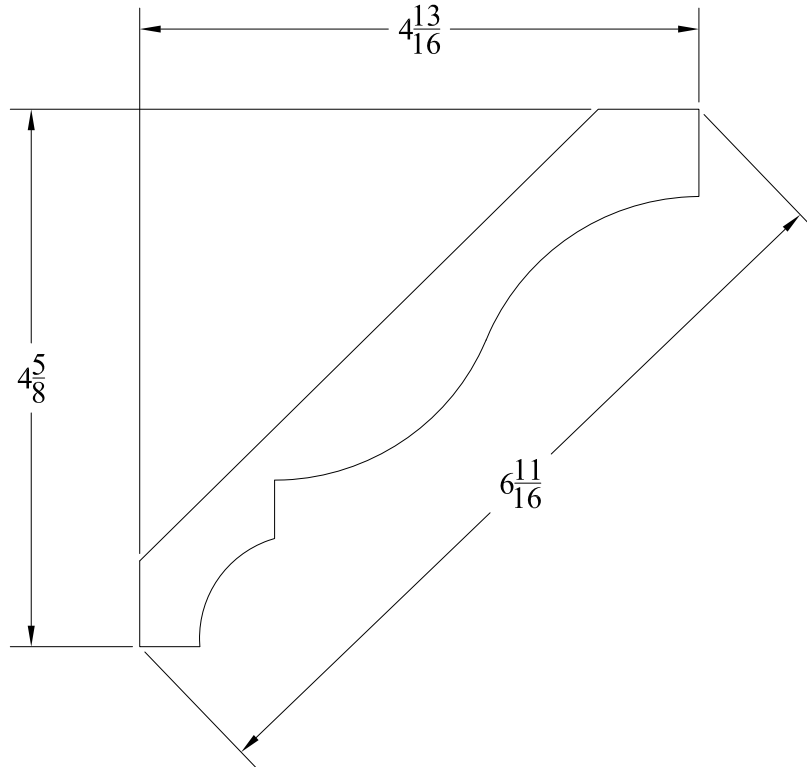
1



**INTEX**<sup>®</sup>  
MILLWORK SOLUTIONS

B

B



A

A

NOTE: A SHORT RUN SETUP CHARGE APPLIES TO ORDERS OF LESS THAN 20 PIECES

|  |              |           |                |              |
|--|--------------|-----------|----------------|--------------|
| MATERIAL   | CELLULAR PVC | NAME      | DATE           | DESCRIPTION  |
| FINISH   | MATTE WHITE  | DRAWN     | XXX XX-XX-XXXX |              |
| LENGTH   | 17' 6"       | CHECKED   | XXX XX-XX-XXXX |              |
| INTEX MILLWORK SOLUTIONS<br>45 MILL STREET<br>MAYS LANDING, NJ 08330<br>PHONE: (856) 293-4100<br>FAX: (856) 293-4102 |              | COMMENTS: |                |              |
|  |              | SIZE      | DWG. NO.       |              |
|  |              | A         | ICM077         |              |
|  |              |           |                | SHEET 1 OF 1 |

2

1