

2

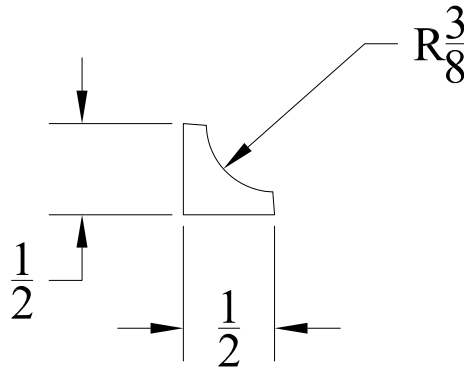
1



**INTEX**<sup>®</sup>  
MILLWORK SOLUTIONS

B

B



NOTE: A SHORT RUN SETUP CHARGE APPLIES TO ORDERS OF LESS THAN 20 PIECES

A

A

MATERIAL CELLULAR PVC	DRAWN	NAME XXX	DATE XX-XX-XXXX	DESCRIPTION  Cove
FINISH MATTE WHITE	CHECKED	XXX	XX-XX-XXXX	
LENGTH 17' 6"				
INTEX MILLWORK SOLUTIONS 45 MILL STREET MAYS LANDING, NJ 08330 PHONE: (856) 293-4100 FAX: (856) 293-4102	COMMENTS:			
	SIZE A	DWG. NO. ICV003		
				SHEET 1 OF 1

2

1