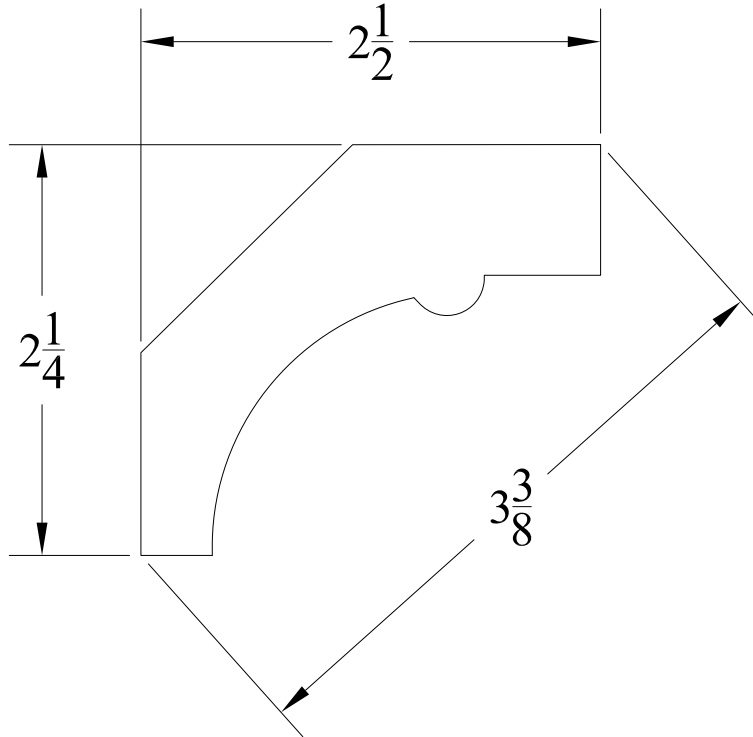


2

1



INTEX[®]
MILLWORK SOLUTIONS



B

B

A

A

NOTE: A SHORT RUN SETUP CHARGE APPLIES TO ORDERS OF LESS THAN 20 PIECES

| | | | | |
|--|-----------|------------------|---------------------------|--------------------------------|
| MATERIAL CELLULAR PVC | | NAME XXX | DATE XX-XX-XXXX | DESCRIPTION Cove |
| FINISH MATTE WHITE | | CHECKED XXX | XX-XX-XXXX | |
| LENGTH 17' 6" | | | | |
| INTEX MILLWORK SOLUTIONS 45 MILL STREET MAYS LANDING, NJ 08330 PHONE: (856) 293-4100 FAX: (856) 293-4102 | COMMENTS: | | | |
| | | SIZE A | DWG. NO. ICV038 | |
| | | | | SHEET 1 OF 1 |

2

1