



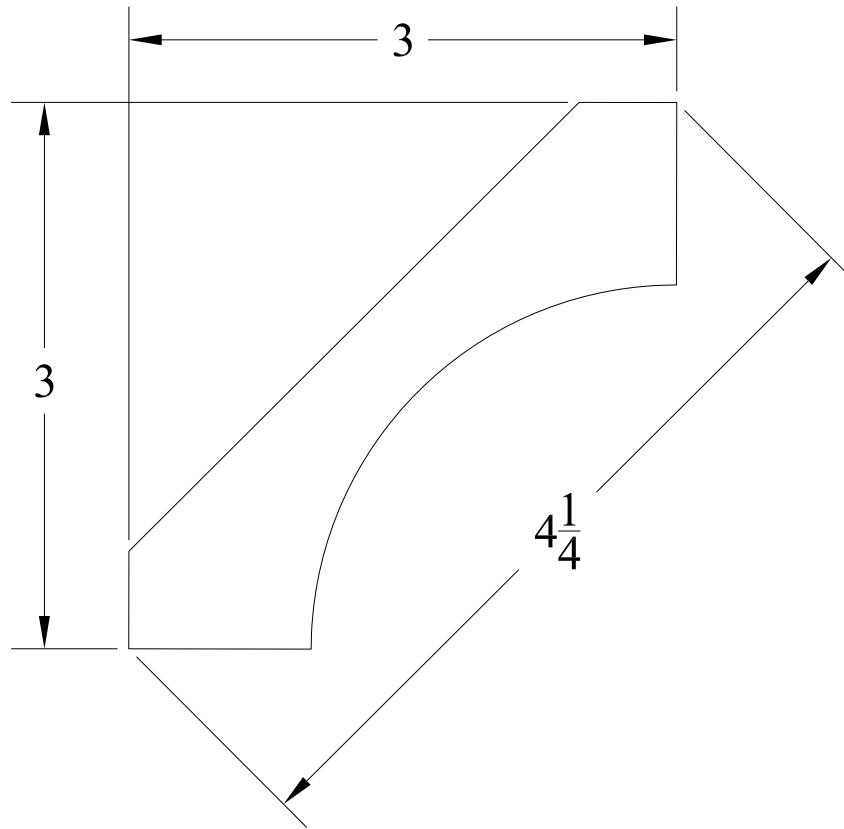
INTEX[®]
MILLWORK SOLUTIONS

2

1

B

B



A

A

NOTE: A SHORT RUN SETUP CHARGE APPLIES TO ORDERS OF LESS THAN 20 PIECES

MATERIAL	CELLULAR PVC	NAME	DATE	DESCRIPTION	
FINISH	MATTE WHITE	DRAWN	XXX		XX-XX-XXXX
LENGTH	17' 6"	CHECKED	XXX		XX-XX-XXXX
INTEX MILLWORK SOLUTIONS 45 MILL STREET MAYS LANDING, NJ 08330 PHONE: (856) 293-4100 FAX: (856) 293-4102		COMMENTS:			
SIZE	A	DWG. NO.	ICV047		
				SHEET 1 OF 1	

2

1