

# Lighted Newel Caps

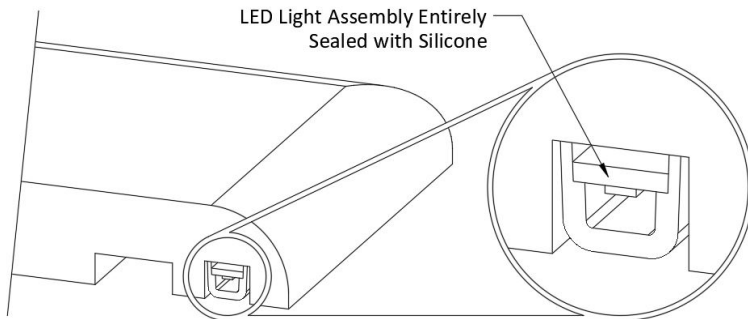


**INTEX**<sup>®</sup>  
MILLWORK SOLUTIONS

856-293-4100 | intexmillwork.com

## Easy to Install System

- Available for NEWEL5 & NEWEL5-EX Only
- Available as Flat Cap or Pyramid Cap
- Easy plug installation system cuts installation time in half vs. traditional cap lighting systems
- System includes necessary "do it yourself" items to light each post
- One transformer style & size (150 Watt)
- Low voltage AC system means no permits or electrician required
- The system has been tested in accordance with and passes the IP67 Standard, including full water submersion
- Light Ring is fully recessed within the cap and entirely insulated and sealed with silicone



	RS60 Liberty	RS40 Hampton	RS70 Providence	RS35 Dartmouth	RS10-20 Nautilus
Lighted Newel Caps	✓	✓	✓	✓	✗

INTEX SKU	Description	List Price
LED-NCFLAT5	Lighted Flat Newel Cap for use on 5" Square Newel with LED Lighting & Harness Installed	\$167.81
LED-NCPYRAMID5	Lighted Pyramid Newel Cap for use on 5" Square Newel with LED Lighting & Harness Installed	\$201.11
LEDPOWER-150	AMP® 150-Watt Slim Line LED Transformer	\$507.87
LEDPOWER-TP	AMP® Timer and Photocell, for Use with 150-Watt Slim Line LED Transformer	\$97.86
LEDCABLE-10EXT	Extension Cable - 10' Length; Male to Female ends	\$25.06
LEDCABLE-6T	Extension Cable - 6' Length; Male to Male/Female "T"	\$25.83
LEDCABLE-10T	10' "T" Cable - 10' Length; Male to Male/Female "T"	\$29.36
LEDENDCAP	Cable Sealing End Cap	\$2.65