

2

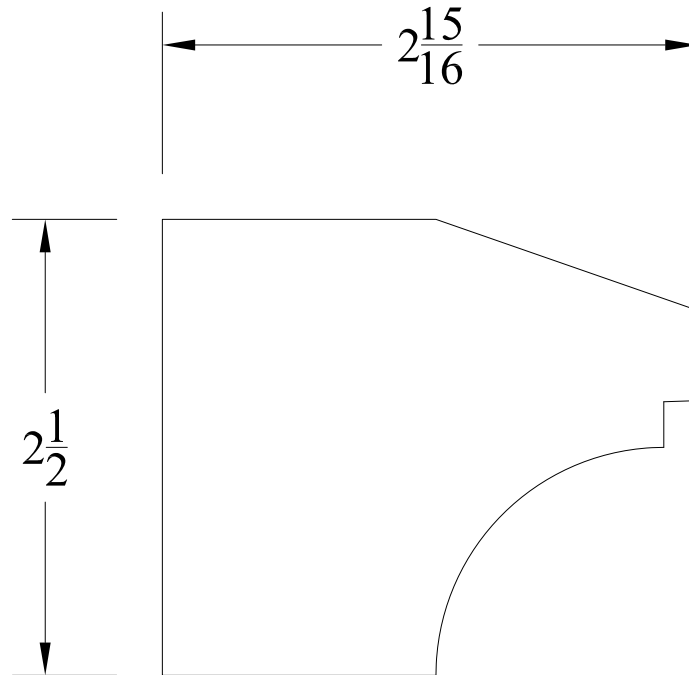
1



**INTEX**<sup>®</sup>  
MILLWORK SOLUTIONS

B

B



A

A

NOTE: A SHORT RUN SETUP CHARGE APPLIES TO ORDERS OF LESS THAN 20 PIECES

MATERIAL CELLULAR PVC		NAME	DATE	DESCRIPTION  <b>Column Cap</b>	
FINISH MATTE WHITE	DRAWN	XXX	XX-XX-XXXX		
LENGTH 17' 6"	CHECKED	XXX	XX-XX-XXXX		
INTEX MILLWORK SOLUTIONS 45 MILL STREET MAYS LANDING, NJ 08330 PHONE: (856) 293-4100 FAX: (856) 293-4102	COMMENTS:				
				SIZE <b>A</b>	DWG. NO. <b>IOM016</b>
				SHEET 1 OF 1	

2

1