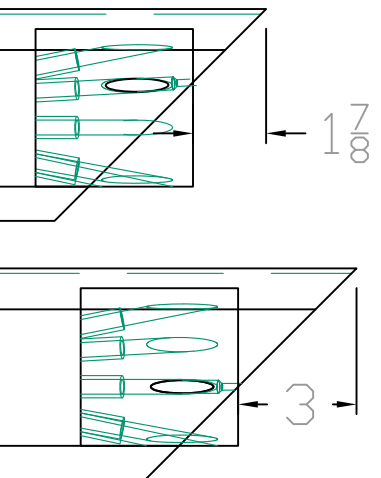
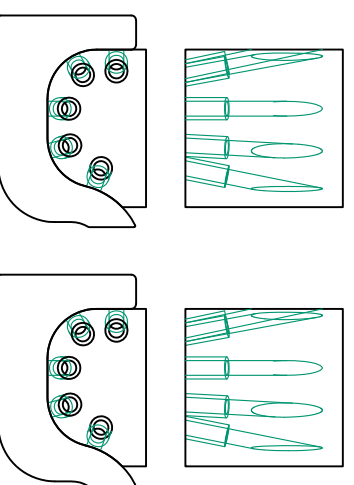
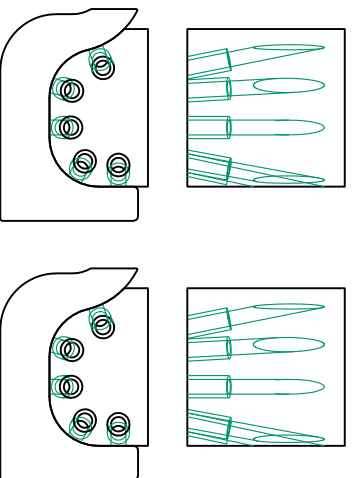
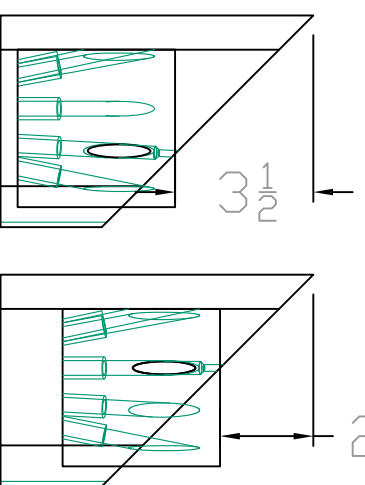


Outside corner



1st and 2nd  
hole Positions for  
the gutter drill jig

Inside corner



Approved by \_\_\_\_\_ Date \_\_\_\_\_

Drawn By: DMIDGETTE Date: 10-08-15 DWG # Gutter Supplier:

Description: Gutter drill jig Positions for inside and outside corners



Legal Disclaimer: This drawing and any attachments are the sole property of Intex Millwork Solutions, LLC and are provided for the purpose of description and approval for quoted products. Any unauthorized use may result in legal action to the extent of the applicable laws.

20 Bogden Blvd.  
Millville, NJ 08332  
Phone 856-293-4100  
Fax 856-293-4102