



INTEX[®]
MILLWORK SOLUTIONS

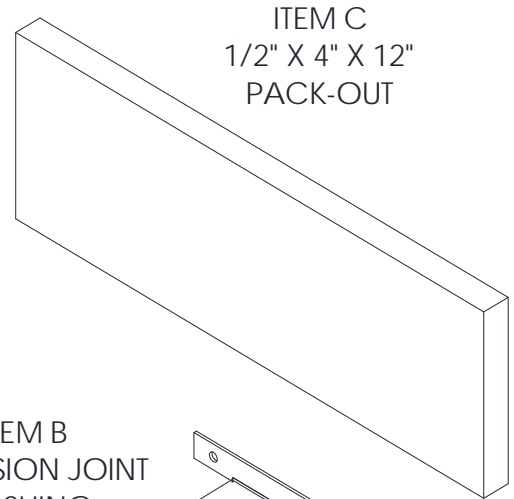
Part # GEXPJOINT

Intex Gutter System

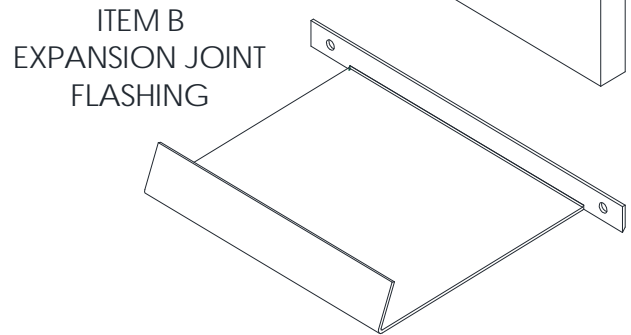
Assembly Instructions and

Parts List for Expansion Joint

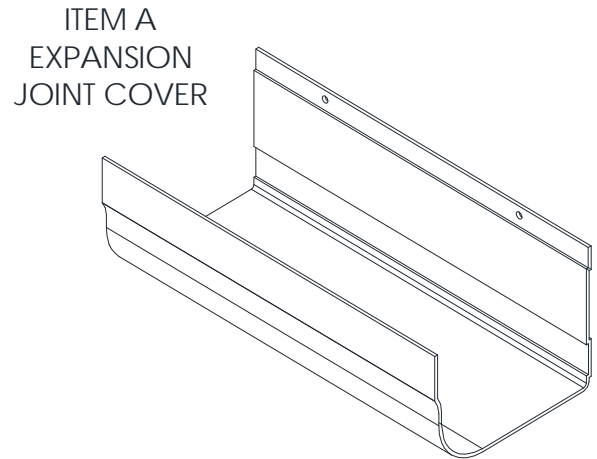
- (1) Extruded Aluminum Expansion Joint Cover (Item A)
- (1) Expansion Joint Flashing (Item B)
- (1) 1/2" X 4" X 12" Pack-out (Item C)
- (2) #10 X 3" Hex Head Stainless Steel Screws (Item D)
- (10) Cortex Screws with Plugs (Item E)
- (2) 3M Primer Ampules (Item F)
- (2) 3M VHB Die Cut Gaskets (Item G)
- (2) PVC Gutter End Caps (Item H)



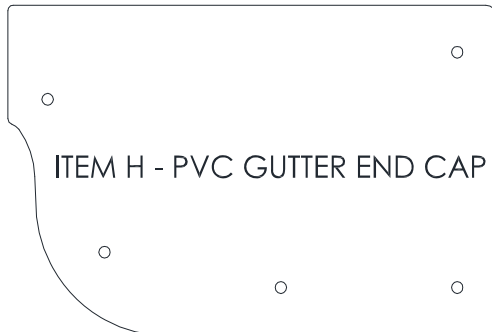
ITEM C
1/2" X 4" X 12"
PACK-OUT



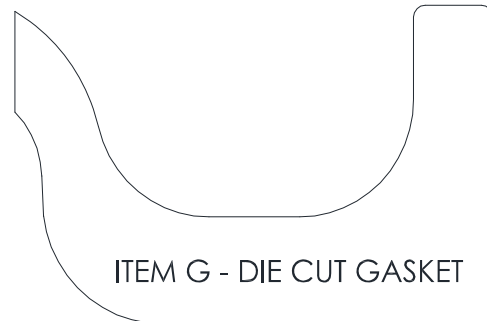
ITEM B
EXPANSION JOINT
FLASHING



ITEM A
EXPANSION
JOINT COVER



ITEM H - PVC GUTTER END CAP



ITEM G - DIE CUT GASKET

ITEM F
PRIMER AMPULE



ITEM E
CORTEX SCREWS WITH PLUGS



ITEM D
#10 X 3" SCREWS



Things to know before you get started;

- Continuous gutter runs in excess of 40 feet require an Intex Expansion Joint.
- In hip roof applications where the gutter is to be installed around the entire perimeter of a building, Intex Expansion Joints must be used.
- Intex Expansion Joints should always be placed mid-span to be the most effective.

Directions;

- **Hang Gutter** – Apply the End Caps (**Item J**) to the (2) Gutter sections per the End Cap Installation instructions. Hang the (2) sections of Gutter using the Hanger Brackets per the Hanger Bracket Installation instructions. **Maintain a 3" gap between the (2) sections of Gutter as shown in Figure A.**
- **Mount Packer** – Locate the midpoint of the span to determine the best location for the Expansion Joint. Center the 1/2" X 4" X 12" Packer (**Item C**) at this location and align with the bottom of the Gutter as shown in **Figure A**. Nail Packer in place.
- **Install Expansion Joint Cover** – Slide the Expansion Joint Cover (**Item A**) over the Gutter from the bottom and align the top of the Expansion Joint Cover with the top of the Packer and shown in **Figure B**.
- **Install Expansion Joint Flashing** – Install the Expansion Joint Flashing (**Item B**) by placing it on top of the Gutter and aligning it to the Expansion Joint (**Item A**) using the predrilled holes. See **Figure C**. Mount Expansion Joint and Flashing in place using (2) #10 X 3" Hex Head Stainless Steel Screws (**Item D**).

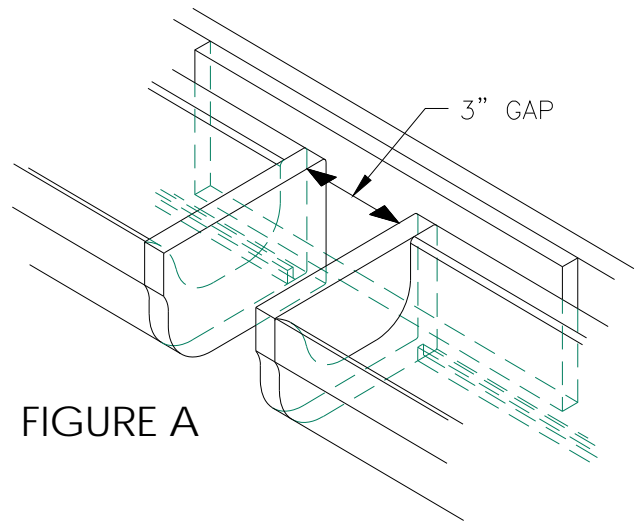


FIGURE A

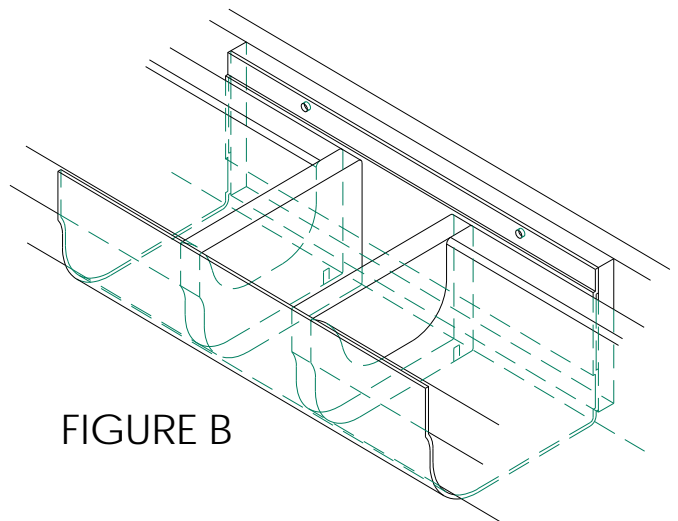


FIGURE B

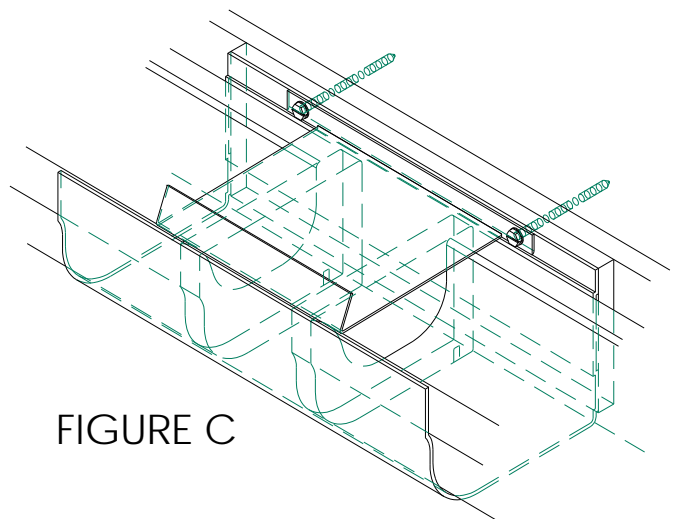


FIGURE C