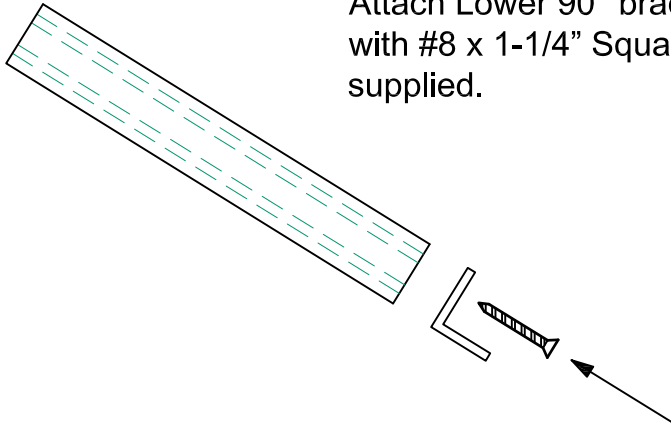


Hampton Stair Rail Instruction Detailed Explanation Drawings

****READ STAIR INSTALLATION INSTRUCTIONS****

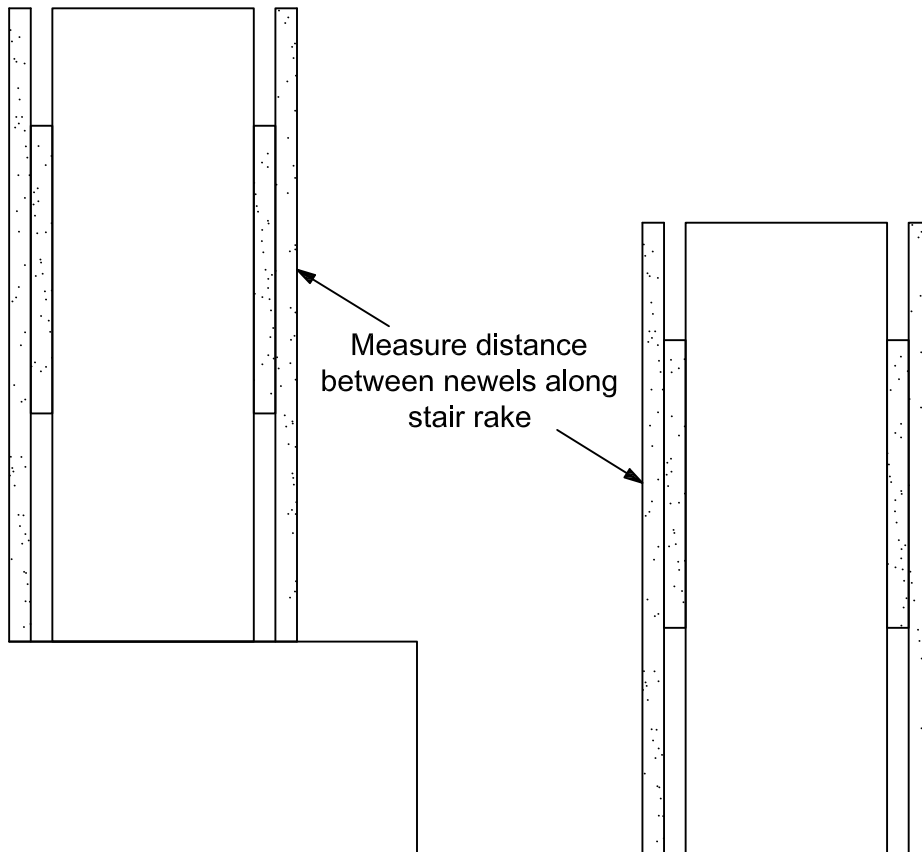
****FOR MORE DETAILS****

(1)



Attach Lower 90° bracket to aluminum reinforcement with #8 x 1-1/4" Square Drive T17 18-8SS screws supplied.

(2)



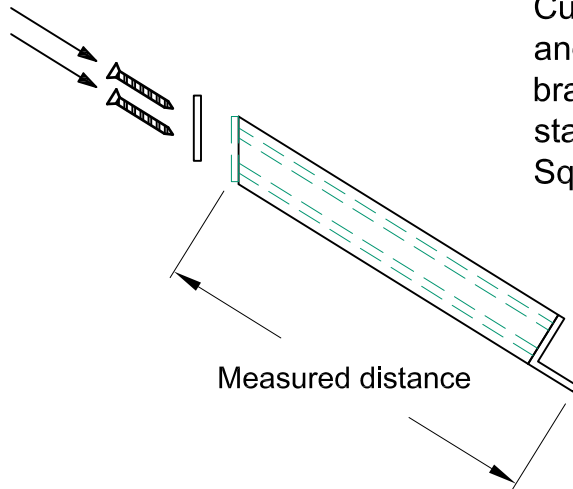
Measure distance
between newels along
stair rake

Hampton Stair Rail Instruction Detailed Explanation Drawings

****READ STAIR INSTALLATION INSTRUCTIONS****

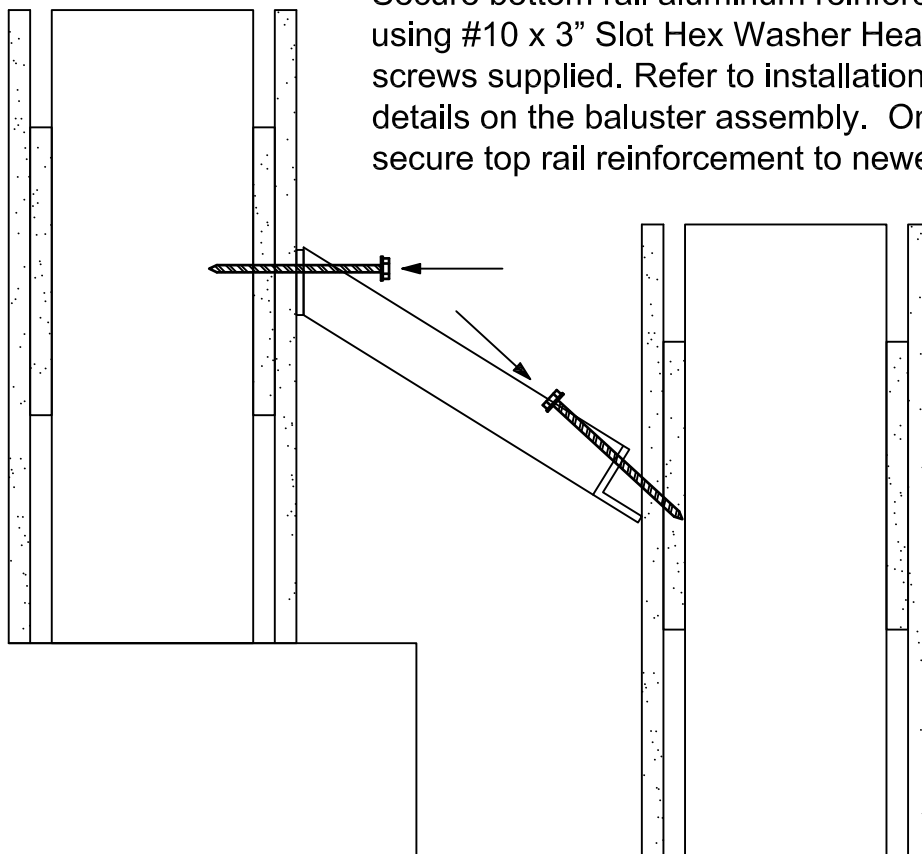
****FOR MORE DETAILS****

(3)



Cut upper end of both reinforcements to the rail angle, include the protruding portion of the lower bracket as part of the total length. Attach upper stair bracket to reinforcements using #8 x 1-1/4" Square Drive T17 18-8SS screws supplied.

(4)



Secure bottom rail aluminum reinforcement to newels using #10 x 3" Slot Hex Washer Head TA 18-8SS screws supplied. Refer to installation instructions for details on the baluster assembly. Once in place secure top rail reinforcement to newels.